

DESCRIPTION

SC-PE630IP1 is a IP paging horn speaker which can receive broadcast from other terminals or servers, and supports system setting via browser, which has loop detection function to detect horn.

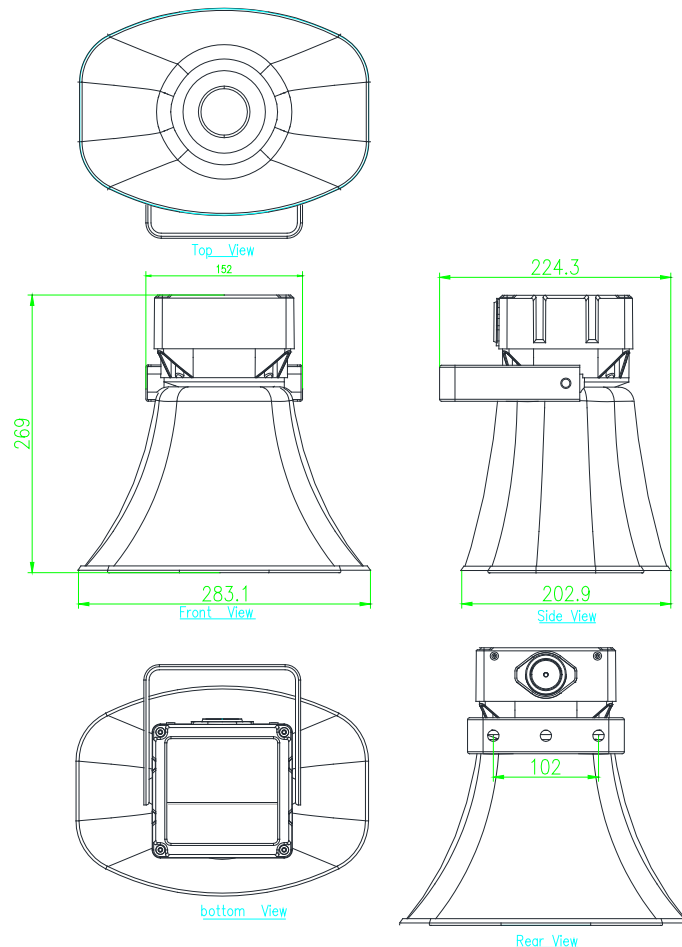
SC-PE630IP1 allows connectivity to Ethernet-powered devices.

SPECIFICATIONS

*0dB=1V

Power Source	DC24V/2.7A, DC jack or PoE(IEEE 802.3at)
Power consumption	less than 5W(standby)
Rated Output(DC supply)	28W
Rated Output(PoE supply)	15W
Sound Pressure Level	113dB (1m/1w)
Frequency response	300-18,000Hz
Dust/Water Protection	IP65
Network I/F	10BASE-T/100BASE-TX, automatic determination
Network protocol	UDP, ARP, ICMP, HTTP, IGMP
Operating Temperature	-20°C~+50°C
Operating Humidity	90%RH or Less (No condensation)
Finish	Horn flare: Aluminum, off-white, Reflector horn and rear cover: ABS resin, off-white Bracket, screws and bolts: Stainless steel
Dimension	283(W) × 224(H) × 269(D) mm
Weight	1.95 kg
Accessories	4P connection terminal(1 PCS),

APPEARANCE



UNIT: mm