

DESCRIPTION

PC-PE1868IP1 is a IP ceiling mount speaker which can receive broadcast from other terminals or servers, and supports system setting via browser, which has loop detection function to detect horn.

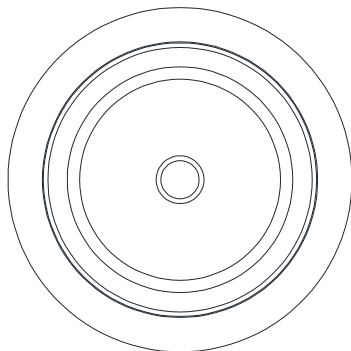
PC-PE1868IP1 allows connectivity to Ethernet-powered devices.

SPECIFICATIONS

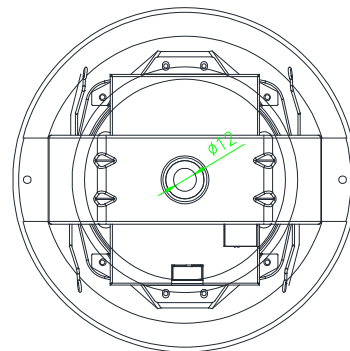
*0dB=1V

Speaker Component	12 cm cone-type
Power Source	DC24V/1A, DC jack or PoE(IEEE 802.3at)
Power consumption	less than 5W(standby)
Rated Output(DC supply)	2 × 7W
Rated Output(PoE supply)	2 × 7W
Sound Pressure Level	90dB (1m/1w)
Frequency response	100-18,000Hz
Network I/F	10BASE-T/100BASE-TX,automatic determination
Network protocol	UDP,ARP,ICMP,HTTP,IGMP
Operating Temperature	-20°C~+50°C
Operating Humidity	90%RH or Less (No condensation)
Finish	Baffle: ABS, single-white(IV wire or HIV wire) Grille: Net,single-white(equivalent color),paint
Dimension	φ 180 × 11(exposed section)+ 110(D) mm
Weight	0.73 kg
Accessories	Speaker mounting bracket...1, 4P connection terminal(1 PCS),

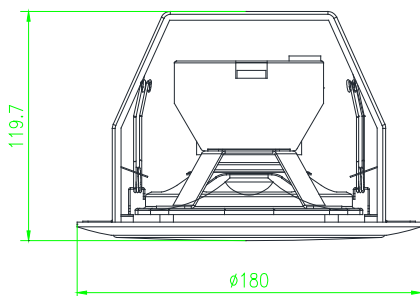
APPEARANCE



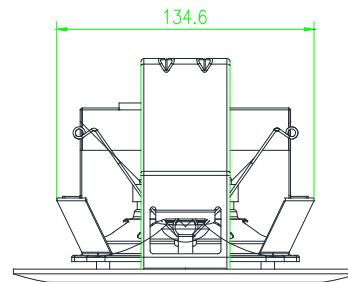
Top View



Rear View



Front View



Side View

UNIT: mm